



s.190 with integrated vertical filter

1/2" - 2"
hot forged brass ball valve



This ball valve with built-in vertical filter allows a large flow rate with a low pressure drop and supports a maximum pressure of 30 bar (PN). This innovative product avoids the installation of two ball valves, before and after the filter. Quick and easy assembly, maintenance and cleaning.



Quality

- Substitutes 3 different components (2 ball valves and one filter)
- Reduces leakage risks due to lower sealing points
- Cost saving due to reduced number of components
- Time saving at installation and maintenance
- Built-in vertical filter with cartridge structure in AISI304 + Nylon (filtration degree: 500 microns / 35 mesh). Size 1/2" has a central rib to ease filter extraction.
- Final test conforming with UNI EN 12266-1 points A3 / A4 (for 1.1/2" and 2" sizes: acc. to directive 2014/68/UE)
- No metal-to-metal moving parts
- Handle clearly shows ball position
- Chrome plated brass ball for longer life
- Handle stop on body to avoid stress at stem

Body

- Hot forged sand blasted, external nickel plated brass body and cap sealed with Loctite® or equivalent thread sealant
- Finest brass according to EN 12165 and EN 12164 (formerly DIN 17660 and UNI 5705-65) specifications
- Bottom plug for an easy filter maintenance

Stem

- Blowout-proof unplated brass stem
- Two O-rings at the stem (FKM + NBR) for maximum safety

Sealing

- Pure PTFE seats

Threads

- ISO 228 parallel female by female threads



Flow

- Nominal port

Handle

- Zinc plated steel handle with plastic dip coating
- **WARNING:** do not exceed reasonable temperature and/or electrical load

Working pressure & temperature

- 30 Bar (450 PSI) non-shock cold working pressure for sizes 1/2" to 1", 20 Bar (290 PSI) for sizes 1.1/4" to 2"
- -20°C / +150°C (-4°F / +300°F)
- **WARNING:** freezing of the fluid in the installation may severely damage the valve

Options

- T-handle for 1/2" to 1" sizes.

PED directive

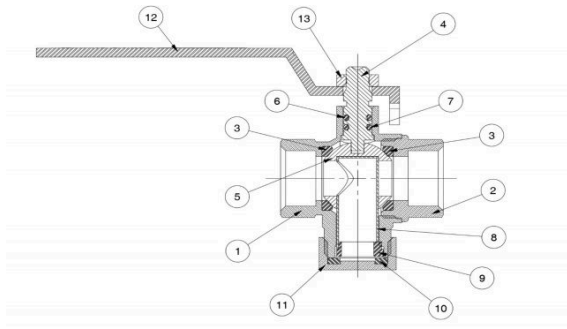
- According to 2014/68/UE, 1.1/4" and superior sizes cannot be used with dangerous fluids

Approved by or in compliance with

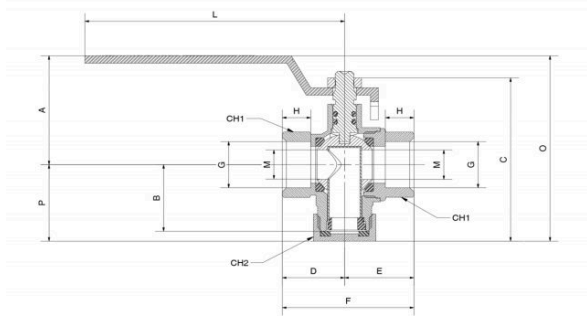
- Water Regulations Advisory Scheme (United Kingdom)

NOTE: approvals apply to specific configurations/sizes only.



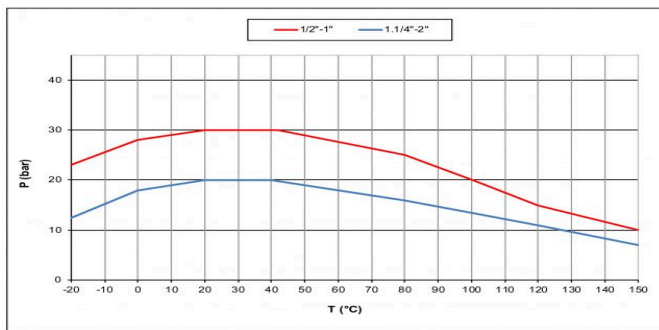


	PART DESCRIPTION	Q.TY	MATERIAL
1	Nickel plated body (external treatment)	1	CW617N
2	Nickel plated end-cap (external treatment)	1	CW617N
3	Seat	1	PTFE
4	Unplated stem O-ring design	1	CW614N
5	Chrome plated ball	1	CW617N
6	O-Ring	1	NBR
7	O-Ring	1	FKM
8	Filter	1	AISI304 + Nylon
9	Filter	1	AISI304 + Nylon
10	Flat seal	1	NBR
11	Plug	1	CW614N
12	Black plastic coated zinc plated handle	1	Steel
13	Zinc plated nut	1	Steel

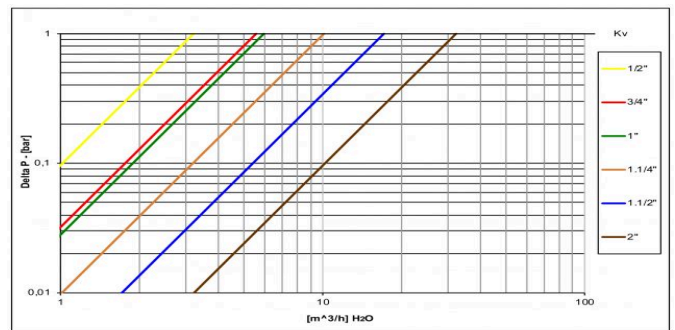


Code	190D00	190E00	190F00	190G00	190H00	190I00
G (inch)	1/2"	3/4"	1"	1 1/4"	1 1/2"	2"
A (mm)	44.2	47.4	50.8	74	80	88.5
B (mm)	27	30.9	34.5	46.5	52.5	63.5
C (mm)	66.2	73.5	80.5	106	118	143
D (mm)	24	29	34.5	40	45.5	54
E (mm)	26.7	32.3	35.6	45	52	63
F (mm)	50.7	61.3	70.1	85	97.5	117
H (mm)	11	13	15	17	17	20
L (mm)	100	100	100	158	158	158
M (mm)	12	16	20	28	36	46
O (mm)	75.2	82.5	89.5	125.5	137.5	167
P (mm)	31	35.1	38.7	51.5	57.5	68.5
CH1 (mm)	25	31	38	48	54	66
CH2 (mm)	24	30	38	46	55	65
PN (bar)	30	30	30	20	20	20
Kv (m³/h)	3.22	5.58	5.97	10.12	17.14	32.30

Pressure - temperature chart



Pressure drop chart



Ask for additional information on the whole range of **RUB** products and consult with your supplier for special applications.
For complete disclaimer: www.rubvalves.com/disclaimer